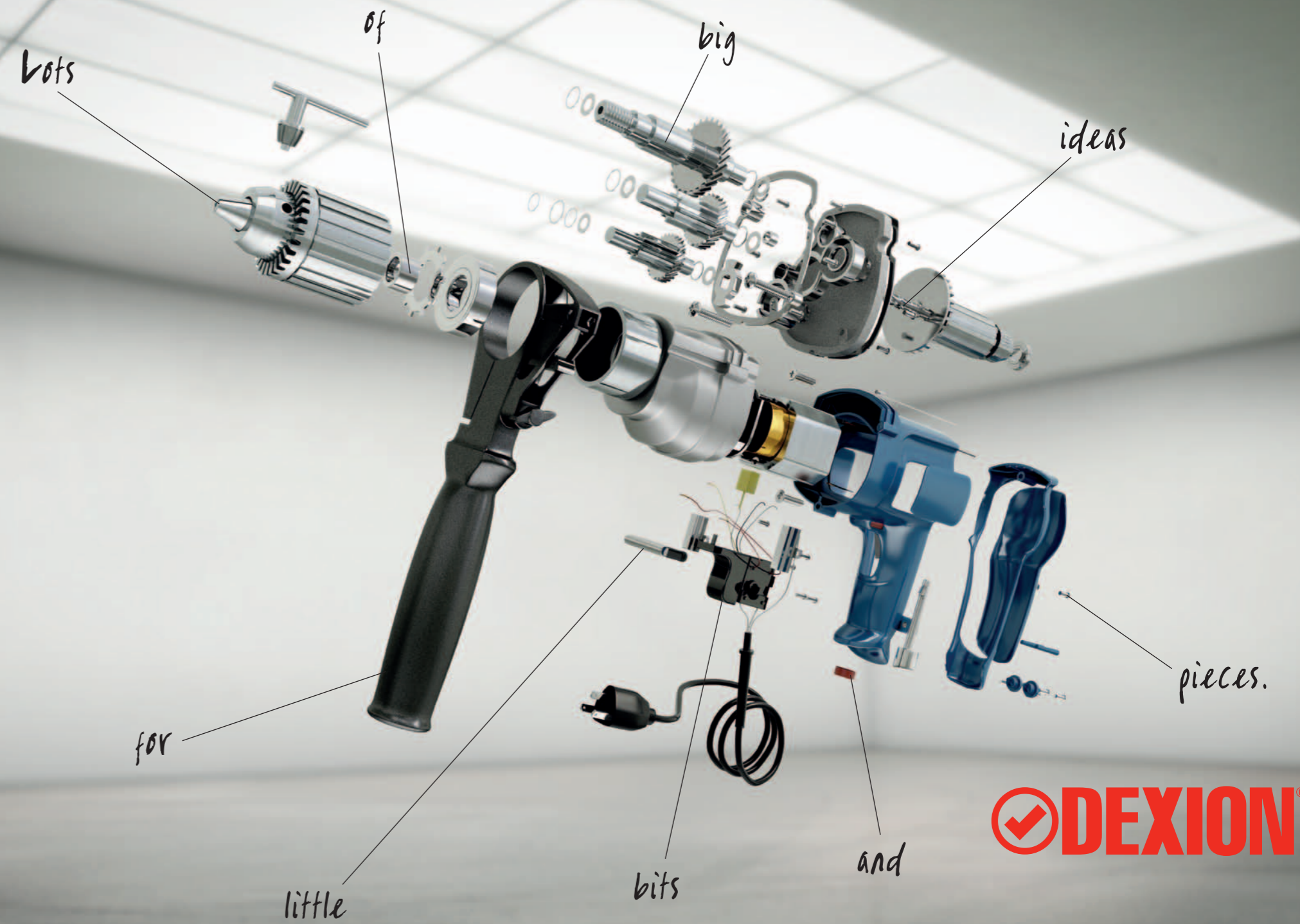




Dexion (Australia) Pty Limited. ABN 83 000 083 956. Head Office: 23 Tattersall Road, Kings Park NSW 2148. dexion.com.au
Dexion New Zealand. Incorp No. 1856839. Head Office: 423 East Tamaki Road, East Tamaki, Auckland 2013. dexion.co.nz

Whilst the utmost care is taken to ensure the accuracy of the information contained herein, it is provided in the understanding that the company shall under no circumstances be liable for any injuries, expenses or other losses which may in any way be attributable to the use or adoption of such data and/or design details. All dimensions indicated are nominal only. Dexion reserves the right to alter or amend without prior notice data and design details specified herein. Product specifications may vary between regions. Re-Order Code M090. F+S+A/DEX0076



Binning systems



Assorted ways to sort stuff.

Small parts - binning systems.

You need:

Small parts to be immediately accessible and highly ordered.

Our solution:

Dexion's range of shelf, hanging and stackable bins allow you to sort small parts any way you like. Our Maxi bins come in seven sizes and five different colours. They can be stacked, hung off louvred panels or incorporated into other Dexion storage systems. There are literally countless combinations.

The vital statistics:

Shelf bins

Hanging and stackable bins

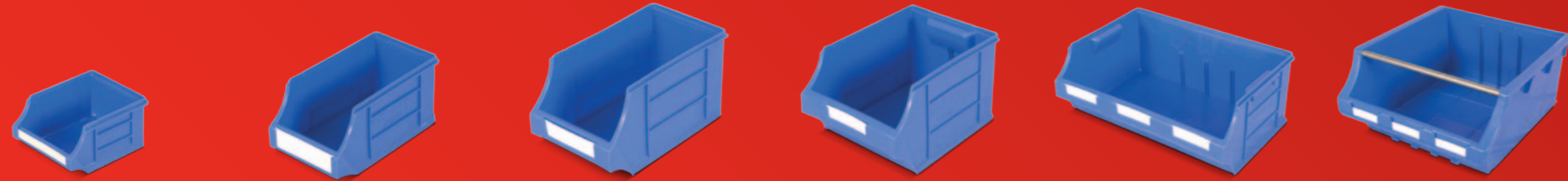
Louvred panels

Trolleys and bench units

Trays and hooks



Maxi Bin range.



P5 Maxi Bin		P10 Maxi Bin		P20 Maxi Bin		P30 Maxi Bin		P40 Maxi Bin		P60 Maxi Bin	
Dimensions	100mm W 120mm D 60mm H	Dimensions	100mm W 178mm D 85mm H	Dimensions	135mm W 225mm D 125mm H	Dimensions	205mm W 280mm D 165mm H	Dimensions	410mm W 280mm D 165mm H	Dimensions	410mm W 457mm D 216mm H
Max load	2kg	Max load	5kg	Max load	9kg	Max load	14kg	Max load	18kg	Max load	27kg
Panel density*	52.5	Panel density*	35.0	Panel density*	19.7	Panel density*	10.5	Panel density*	5.3	Panel density*	4.4
Order code	Colour	Order code	Colour	Order code	Colour	Order code	Colour	Order code	Colour	Order code	Colour
080101	Red	080121	Red	080141	Red	080167	Red	080185	Red	080191	Red
080102	Blue	080122	Blue	080142	Blue	080168	Blue	080186	Blue	080192	Blue
080103	Yellow	080123	Yellow	080143	Yellow	080169	Yellow	080187	Yellow	080193	Yellow
080104	Green	080124	Green	080144	Green	080170	Green	080188	Green	080194	Green
080105	Almond	080125	Almond	080145	Almond	080171	Almond				

*Panel density is the approximate number of bins that will fit into a linear metre of standard 457mm wide panel.

- 01** Smooth internal features with curved edges making bins easy to clean and provides quick and easy product picking.
- 02** Divider available for P30, P40, P45 & P60.
- 03** Unique rear recessed holding grip.
- 04** Deep rear lip to facilitate bin hanging on louvred panel.
- 05** Uniquely moulded top rim to ensure secure stacking.
- 06** Reinforced moulding provides stacking strength.
- 07** Wide base moulding to stack securely.
- 08** Wide identification label.
- 09** Made from high strength polypropylene that resists discolouration from oil and grease.

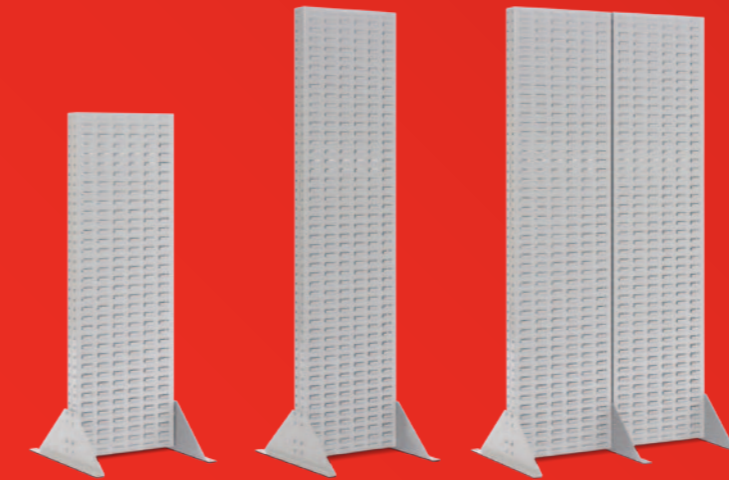


Bins can be stacked or hung on louvred panels.



Available in a range of colours to assist in more efficient picking.

Louvred panels.



Louvred panel double sided.

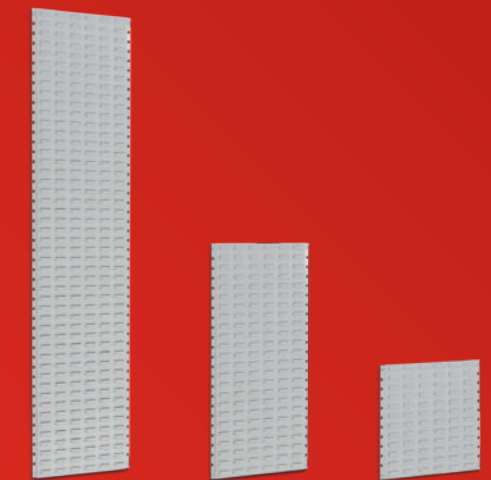
Louvred panel double sided with extension.

Louvred panel double sided

Order code	Dimensions	Max load
080401	438mm W x 1372mm H	611kg
080402	438mm W x 1829mm H	815kg
080408	Spacer	
080403	Rack feet	

Louvred panel single sided

Order code	Dimensions	Max load
080311	454mm W x 457mm H	101kg
080313	454mm W x 914mm H	203kg
080315	454mm W x 1829mm H	407kg



Louvred panels single sided for wall mounting.



Louvred panel double sided with maxi bins, hooks and shelf.

Louvred panel double sided with extension and maxi bins, hooks and shelf.

Louvred panel trolley

Order code	Dimensions
080411	940mm W 665mm D 1340mm H

Louvred panel bench unit

Order code	Dimensions
080417	457mm W 234mm D 454mm H

P45 Maxi Bin.

P45 bins are typically used in dust sensitive environments. When stacked, dust particles are impeded from entering the front or the top of the bin. The front screen is hinged at the top to provide access to the contents.



P45 Maxi Bin	
Dimensions	180mm W 440mm D 145mm H
Max load	13kg
Panel density*	6.5
Order code	Colour
080175	Red

*Panel density is the approximate number of bins that will fit into a linear metre of standard 457mm wide panel.

Bin divider.
P45 dividers are used to divide the bin into smaller compartments. P45 bins accept 1 front to back divider or 7 left to right dividers for maximum versatility.

Order code	Divider type	No. of dividers
080251	Front to back	1
080252	Left to right	7

Bin front screen.
The P45 bin front screen covers the face of the bin from foreign particles.

Order code	Description
080261	Bin front screen

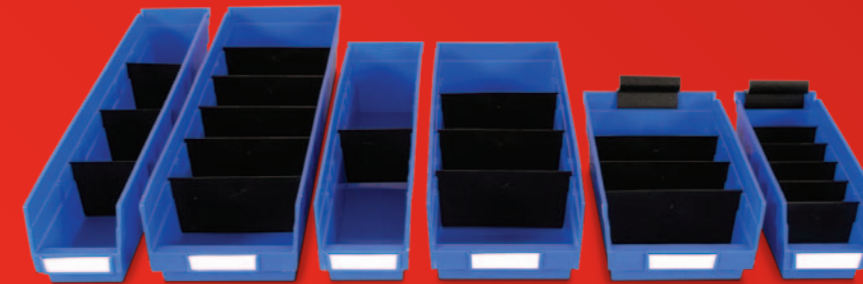
- 01** Rear identification label for bin divisions.
- 02** Raised lug acts as a stop on shelving.
- 03** Deep rear lip to hang on louvred panel.
- 04** Front to back divider slots.
- 05** Wide identification label.
- 06** Optional reversible hinged front screen.
- 07** Optional dividers with label holders.
- 08** Label holders on dividers.
- 09** Reinforced moulding provides stacking strength.



Ultima CI-80 with P45 Maxi bins.

Shelf bins.

Dexion shelf bins are designed to be incorporated within the Ultima shelving system. When placed on a shelf they create convenient drawer-like access for small parts. Integrate Dexion shelf bins with other Dexion products for the ultimate small parts storage solution.



Shelf bin range	30124	30164	30128	30138	30130	30120
Order code	30124	30164	30128	30138	30130	30120
Width (mm)	105	168	105	168	168	105
Depth (mm)	600	600	445	445	295	295
Height (mm)	102	102	102	102	102	102

*Dividers sold separately.

Shelf bin quantities per shelf

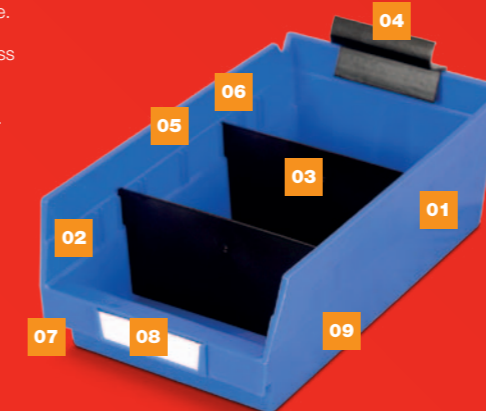
Bin width (mm)	Shelf width (mm)			
	750	900	1050	1200
105	6	8	9	11
168	4	5	6	7

Shelf bin levels per bay height

Overall bay height (mm)	975	1875	2175	2400
No. of shelf levels	5	11	13	15

*Maximum number of shelf bins levels per Ultima CI-80 bay.

- 01** Durable polypropylene ensures bin is waterproof and unaffected by grease.
- 02** Wide hopper front allows easy access and increased visibility.
- 03** Create compartments with dividers*.
- 04** Back stops lock to the shelf return.
- 05** Neat nesting capability.
- 06** Divider slots.
- 07** Built in handle grip.
- 08** Label holder identifies contents.
- 09** Neat nesting capability.



Accessories

Order code	Description
2685	Back stop
2686	Label card
40120	Divider shelf bin 105
40130	Divider shelf bin 168



Ultima CI-80 with shelf bins.